



WTB Series 336.4 - 636 Series Wedge Tap Connectors

AFL Wedge Tap Connectors are used to make complete aluminum-to-aluminum and aluminum-to-copper electrical connections. The bolted wedge technology makes installations quicker, easier and safer when compared with traditional tap connectors by eliminating the need for specialized tooling for the same type of connection. Once the appropriate pressure is obtained by the wedge, the breakaway bolt will shear off giving a visual indication that a correct installation has been made.

The connector is rated for the full current of the conductors within its range. As the conductors expand and contract under thermal cycling, the C-shaped body operates within the elastic region of its mechanical properties, allowing the connection to maintain constant pressure, resulting in reliability of performance.

This connector is reusable and can easily be removed by backing out the bolt, which will drive out the wedge. AFL recommends replacing the bolt and applying more inhibitor grease when reusing.

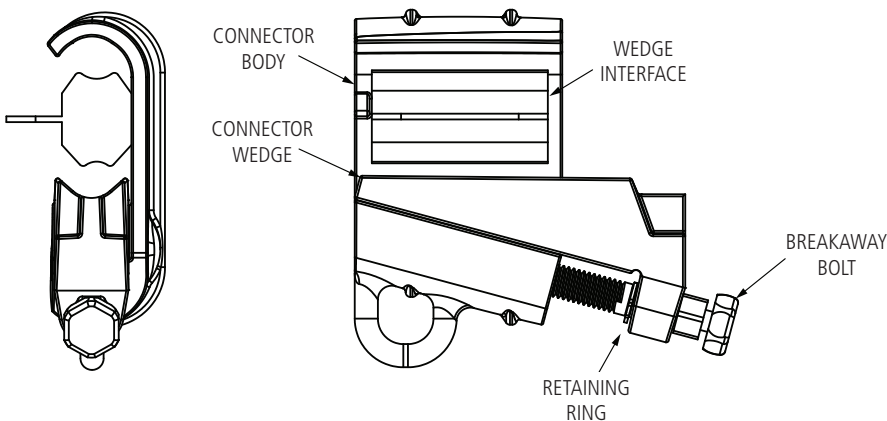
The wedge tap connectors are comprised of high strength aluminum castings, a breakaway bolt and a highly conductive aluminum interface, providing a secure, reliable solution with an installation that is both fast and simple.

Standard Packaging

QUANTITY	WEIGHT
25	32 lbs

Features

- Material
 - Connector Body—Aluminum Alloy
 - Connector Wedge—Aluminum Alloy
 - Breakaway Bolt—Aluminum
 - Retaining Ring—Steel
 - Connector Interface—6101-T6
- Breakaway Bolt Torque: 10-12 ft-lbs
 - Bolt Head size: 3/4"
- For use on ACSR, AAC and AAAC
- For Aluminum-to-Copper connections, the copper wire should be located on the bottom in order to minimize contamination.



* Not rated for HT Conductors

continued
→

WTB Series
336.4 - 636 Series Wedge Connectors (cont.)

Ordering Information

LINE NO.	AFL NO.	RUN		TAP		CPI NO.
		CONDUCTOR SIZE	CONDUCTOR DIAMETER RANGE	CONDUCTOR SIZE	CONDUCTOR DIAMETER RANGE	
1	WTB-666/162	336.4, 350 MCM, 397 ACSR 18/1	0.666" - 0.743"	#6, #4	0.162" - 0.256"	336200
2	WTB-666/257			#4 ACSR, #2, 1/0 AAC	0.257" - 0.367"	336104
3	WTB-666/368			1/0, 2/0, 3/0	0.368" - 0.521"	336012
4	WTB-666/522			4/0 ACSR, 266.8 AAC	0.522" - 0.641"	336866
5	WTB-666/642			266.8 ACSR 36/7, 336.4, 397.5	0.642" - 0.806"	336718
6	WTB-769/184	397 ACSR 24/7, 450 MCM, 477, 500 MCM, 556.5 AAC	0.769" - 0.858"	#6 AAC, #4, #2	0.184" - 0.316"	477057
7	WTB-769/292			#2, 1/0	0.292" - 0.398"	477962
8	WTB-769/398			1/0 ACSR, 2/0, 3/0 AAC	0.398" - 0.501"	477853
9	WTB-769/502			3/0 ACSR, 4/0, 250, 266.8, 300 AAC	0.502" - 0.627"	477724
10	WTB-769/628			266.8 ACSR 36/7, 300 AAC, 336.4, 397.5 ACSR 24/7	0.628" - 0.772"	477633
11	WTB-769/720			336.4 ACSR 26/7, 397, 477, 500 MCM, 556 AAC	0.720" - 0.858"	477434
12	WTB-856/162	477 ACSR 26/7, 556, 600 MCM, 636 ACSR 18/1, 605 ACSR	0.856" - 0.953"	#6, #4, #2	0.162" - 0.316"	556956
13	WTB-856/292			#2, #1, 1/0	0.292" - 0.398"	556892
14	WTB-856/368			1/0, 2/0, 3/0, 4/0 AAC	0.368" - 0.521"	556783
15	WTB-856/522			4/0, 250, 266.8, 300 MCM, 336 AAC, 350 MCM	0.522" - 0.679"	556638
16	WTB-856/680			350 MCM, 336.4, 397.5, 477 AAC	0.680" - 0.806"	556504
17	WTB-856/795			397 ACSR 30/7, 477, 500 MCM, 556.5, 636 AAC	0.795" - 0.918"	556294
18	WTB-856/914			556.5 ACSR 24/7, 636 AAC, 636 ACSR 18/1, 605	0.914" - 0.952"	556294-1

* For Replacement Breakaway Bolts, see page 17 of the TAPLINK® catalog for ordering information.

Qualifications

GOVERNING BODY	STANDARD CODE
ANSI	C119.4

Contact AFL for further details.